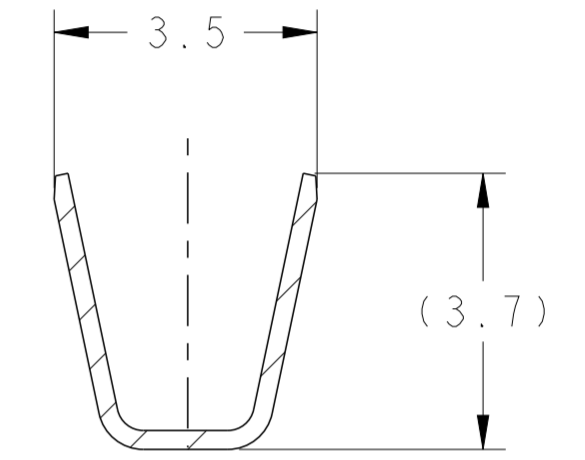
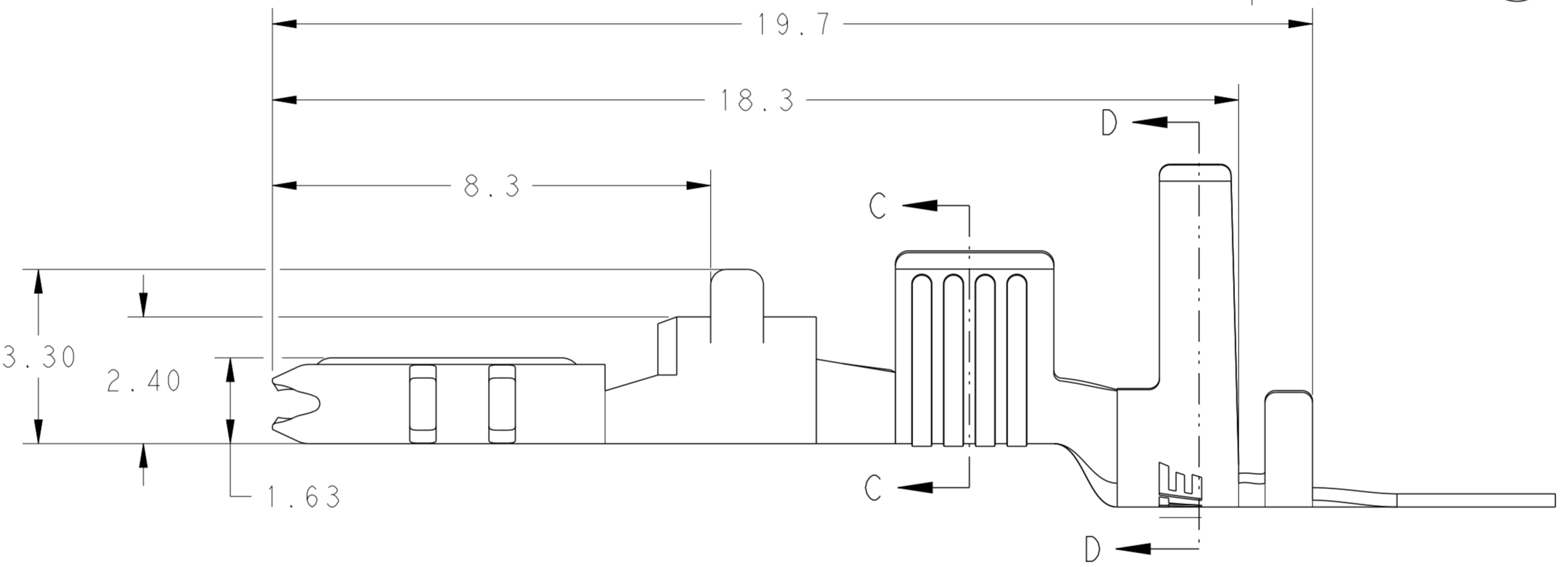
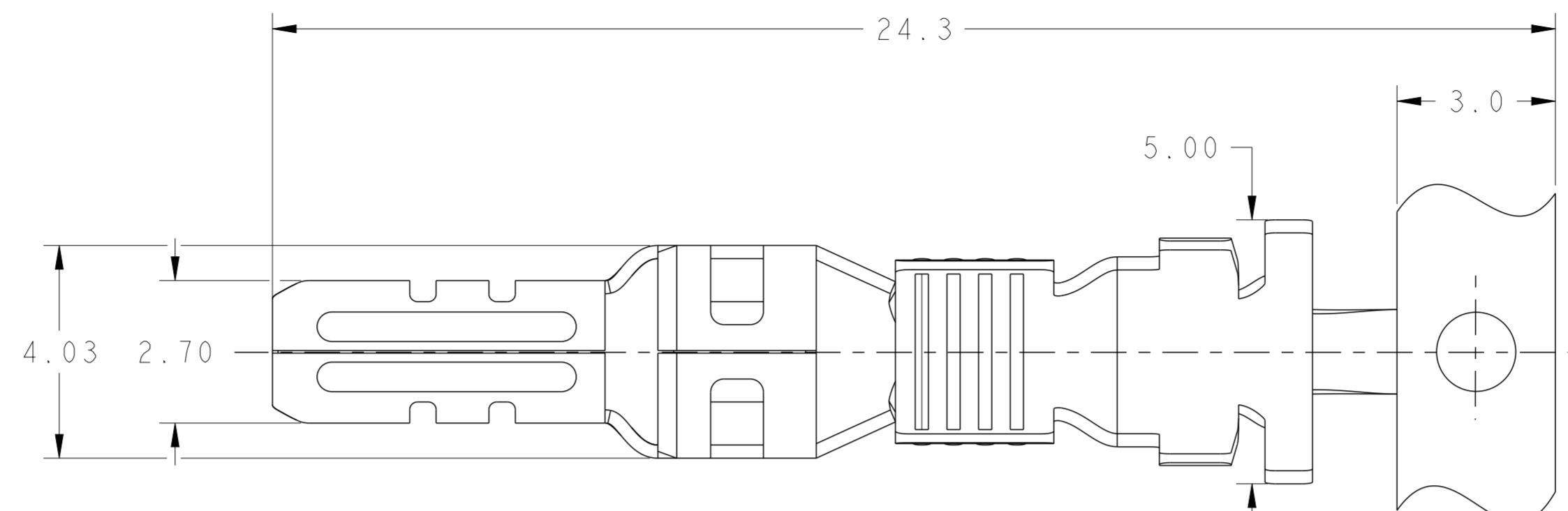
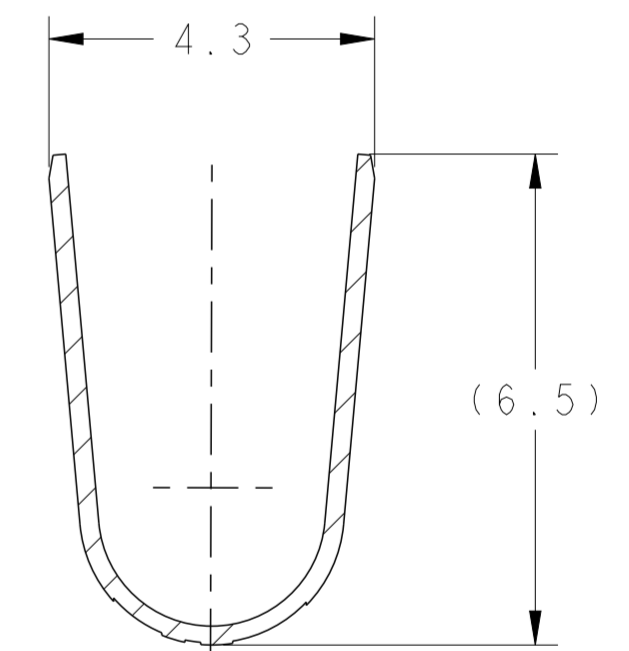


THIS DRAWING IS UNPUBLISHED. RELEASED FOR PUBLICATION 20  
 © COPYRIGHT 20 BY - ALL RIGHTS RESERVED.

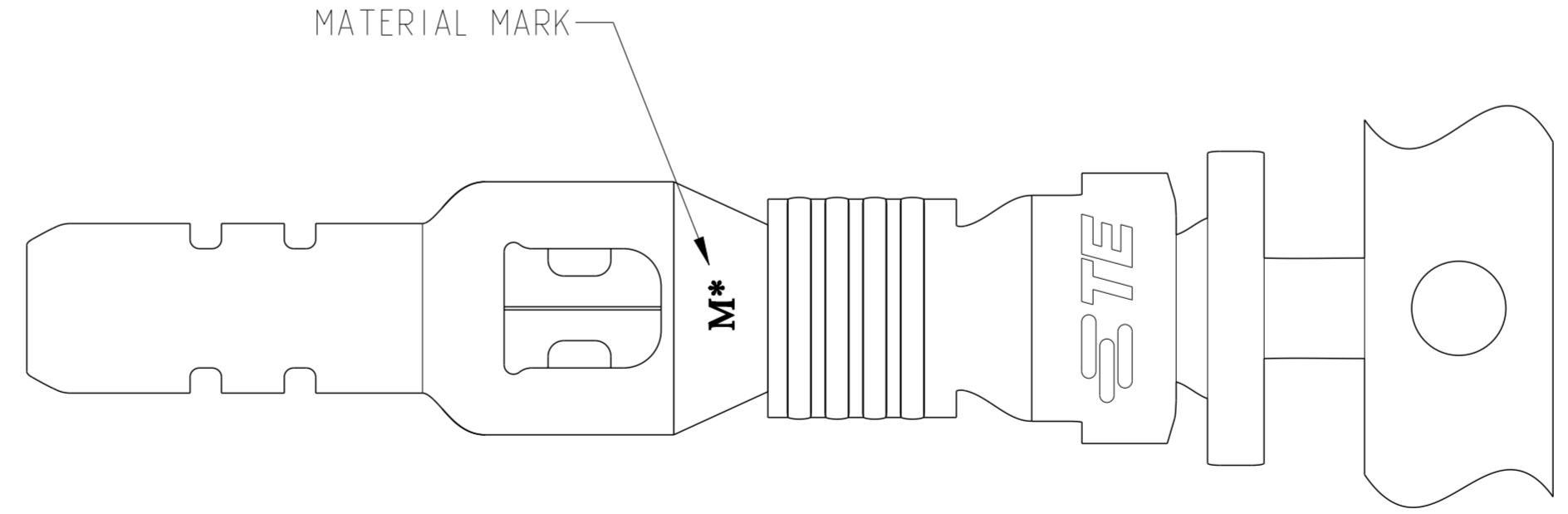
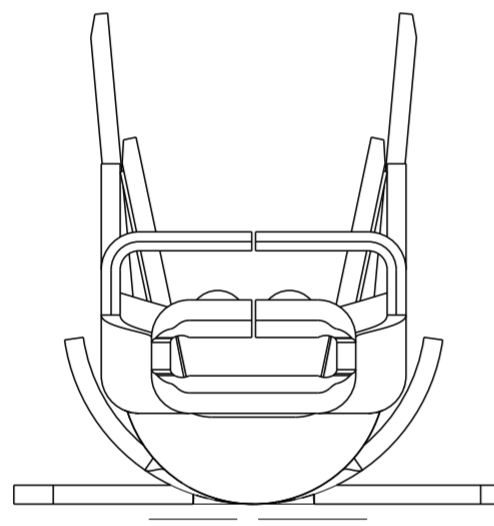
| LOC | DIST | REVISIONS |     |                           |           |     |      |
|-----|------|-----------|-----|---------------------------|-----------|-----|------|
| ES  | 00   | P         | LTR | DESCRIPTION               | DATE      | DWN | APVD |
|     |      | C1        |     | REVISED PER ECR-15-013268 | 10SEP2015 | NK  | GJ   |



SECTION C-C



SECTION D-D



- 1 MATERIAL: COPPER ALLOY, PRE TIN PLATING
- 2 PRODUCT SPEC: 108-106118
- 3 APPLICATION SPEC: 114-106118
- 4 APPLICABLE MATED CAP HOUSING P/N:  
 \*-1971771-\*/\*-1971774-\*/\*-1971874-\*/  
 \*-1971772-\*/\*-1971775-\*/\*-1971875-\*/  
 \*-2232263-\*/\*-2232264-\*/\*-2232356-\*/  
 \*-2232358-\*/\*-2232359-\*/\*-2232360-\*
- 5 APPLICABLE WIRE: 2X18AWG COPPER
- 6 APPLICABLE INSULATION DIAMETER: 2.65~2.95mm

1. This product has not completed validation testing.

|                 |               |           |
|-----------------|---------------|-----------|
| HIGH(150°C)     | M0            | 1971788-2 |
| STANDARD(105°C) | M4            | 1971788-1 |
| TEMP. RATING    | MATERIAL MARK | PART NO   |

|   |  |                  |            |             |                 |                               |
|---|--|------------------|------------|-------------|-----------------|-------------------------------|
| THIS DRAWING IS A CONTROLLED DOCUMENT.  |  | DWN              | TOMMY WU   | 11 JUL 2012 | TE Connectivity |                               |
| DIMENSIONS: mm  |  | CHK              | HAPYE WU   | 11 JUL 2012 |                 |                               |
| TOLERANCES UNLESS OTHERWISE SPECIFIED:  |  | APVD             | YUHONG MAO | 11 JUL 2012 |                 |                               |
| 0 PLC ±-<br>1 PLC ±0.5<br>2 PLC ±0.30<br>3 PLC ±-<br>4 PLC ANGLES ±-<br>MATERIAL FINISH |  | PRODUCT SPEC     | 108-106118 |             |                 |                               |
|   |  | APPLICATION SPEC | 114-106118 |             | NAME            | TAB CONTACT POWER TRIPLE LOCK |
|   |  | WEIGHT           | -          |             | SIZE            | A2                            |
|   |  | Customer Drawing | SCALE      | -           | CAGE CODE       | A200779                       |
|   |  |                  |            |             | DRAWING NO      | C-1971788                     |
|   |  |                  |            |             | RESTRICTED TO   | -                             |
|   |  |                  |            |             | SHEET           | 1 OF 1                        |
|   |  |                  |            |             | REV             | C1                            |